

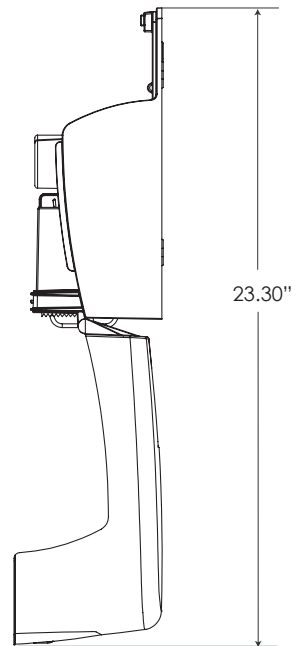
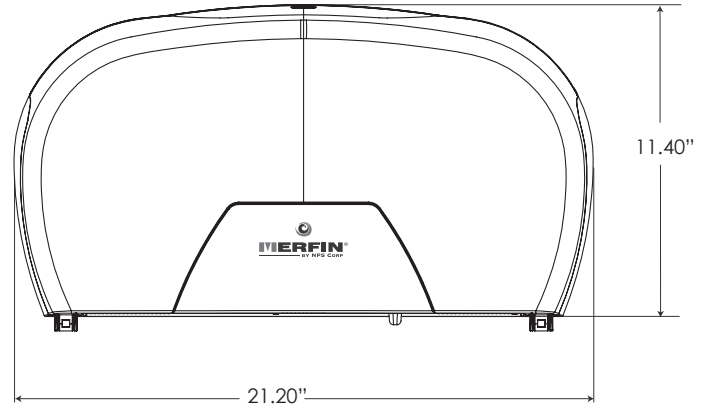


Installation Guide:

The mounting should be in compliance with ADA requirements. Select a location which provides the area forward of the unit for best dispensing function. Location should allow the cover to be opened for product installation, unit maintenance and provide adequate room for use. For best performance, the mounting surface should be flat with minimal irregularities or protrusions. The following instructions serve as a guide only, and WPI is not liable for damage or injury due to improper installation.

Installation Steps:

1. Select appropriate fasteners for the surface substrate. Failure to do so could result in improper installation or injury.
2. The unit should be mounted with a minimum of 4 fasteners. It is recommended for best security to position fasteners in the outer most ends of slots.
3. Position unit in desired location, and install screw through center keyhole. This will allow the unit to pivot on screw for leveling.
4. Level unit and either install 4 screws or if anchors are required, mark anchor locations.
5. Loosen screw in center keyhole slot and temporarily remove unit.
6. Install anchors in marked locations, reinstall unit back on center screw, align unit with anchors and install 4 screws. Center screw can be either tightened or removed if desired.



Specifications:

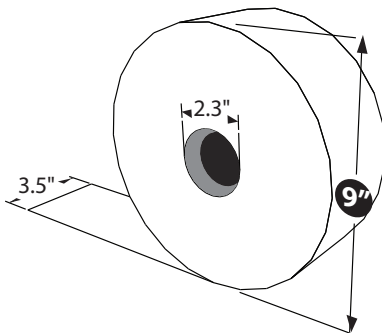
This Jumbo Roll Tissue-Double, is designed to Merfin[®] by NPS Corp Tissue with 2.3" core and rolls with a 9" diameter.

Weight:

4.1 lbs. (1.86kg)

Overall Dimensions:

Wide: 21.2" (53.59cm)
Height: 11.40" (28.95cm)
Depth: 5.62" (14.27cm)



Additional Adaptor Parts

